

NE150

Any tablet. Always connected. Instant mobility.



NE150 is a sleek, small-scale tablet stand designed to meet business needs at a budget-friendly price. Integrated charging, USB 3.0 high-speed data connectivity, and detachable handle supports peripherals and transitions from a fixed solution to portable handheld for an agile in-store experience.

MIX-&-MATCH

Securely supports any tablet up to 13" from any manufacturer with any operating system.

RELIABLE CONNECTION

High-speed USB 3.0 data port supports a wide range of peripherals.

SIMPLE SOLUTION

Cost-effective, compact tablet stand that easily converts from a fixed to mobile solution.



invue.com

INVUE

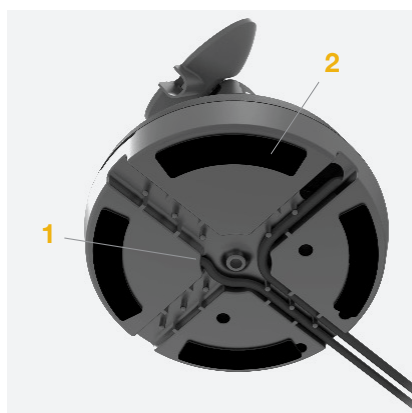
Features and Benefits

- 1 Fits any tablet from any manufacturer up to 13"
- 2 Compatible with iOS, Windows, and Android
- 3 High-speed data port supports up to 5Gbps
- 4 USB-C port connection for peripherals
- 5 Tilt/flip tablet screen from associate to customer
- 6 Detachable handle for instant mobility that serves as a secondary stand
- 7 Integrated charger with built-in LED indicator lights



Features and Benefits *(continued)*

- 1 Built-in cable management in the base hides unsightly wires or routes them to a single side
- 2 Base can be affixed using non-slip adhesive or bolt mounted
- 3 Handle locks to base for a fixed stand solution
- 4 Compatible with all NE360C payment cradles when used with adapter cable (optional)



Target Segments

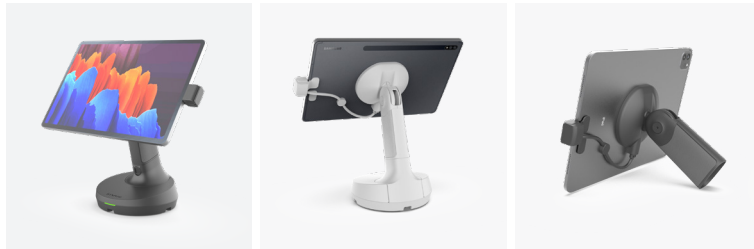
- Specialty Retail
- Hospitality

Core Applications

- Point of sale
- Registration processes
- Self check-in/checkout
- Endless aisle
- Clienteling
- Product comparisons
- Line busting
- Inventory audits
- Restaurant menu displays/
order kiosk
- Ticketing
- Payment processing

Key Differentiators

- › Integrated charging with indicator
- › High speed USB-C data connectivity with dual display support
- › Small profile, freestanding base with fixed mounting options
- › Ideal for mobile applications with secure lock down for fixed applications
- › Mount any manufacturer's tablet
- › Supports Windows, Android and iOS operating systems



INVUE

©2024 InVue Security Products. No endorsement of InVue products has been made by any of the manufacturers of the products shown. Product is sold pursuant to InVue's warranty which can be found at invue.com/warranty.

24/7 TECH SUPPORT techsupport@invue.com
CUSTOMER SERVICE customerservice@invue.com

THE AMERICAS 704.752.6513 • 888.55.INVUE
EUROPE, MIDDLE EAST & AFRICA +31.23.8900150
ASIA PACIFIC +852.3127.6811